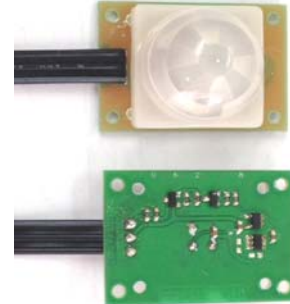


This is a low cost version for PIR module series from COMedia Ltd. It is designed for cost sensitive consumer products. All the mechanical spec is same as KC7783R.

**Features:**

- Small size: 25 x 35mm
- Ball lens is included as standard configuration
- 3 leads flat cable for easy connection
- 4 mounting holes on board
- High Sensitivity
- High immunity to RFI
- Power up delay 25s to prevent from false triggering
- Output High for direct connect to control panel



**Specification**

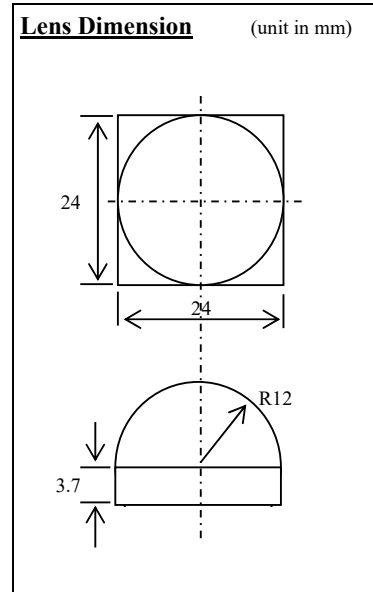
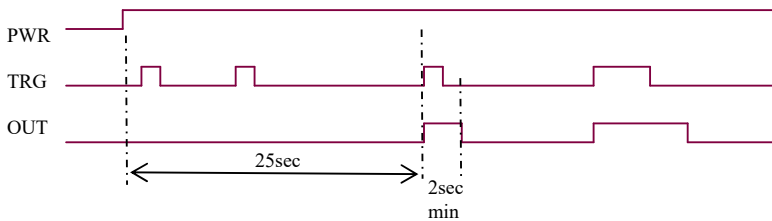
	Min	Typ	Max	Unit
Operation Voltage	3.3	5	12	V
Standby Current ( no load)		<40		μA
Output Pulse Width	2			Sec
Output High Voltage		As input		V
Detection Range			5	M
Operation Temperature	-20	25	60	°C
Humidity Range			95	%

Note: Minimum output pulse width can be customer specified.

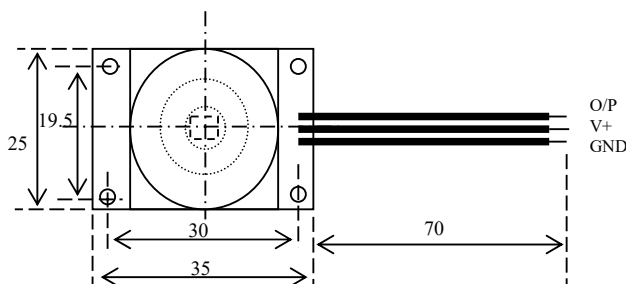
**Standard Configuration**

Lens	Ball lens of 90° detection angle
Connector	3 leads flat cable, Power, GND, O/P

**Timing Diagram**



**Mechanical Dimension**



**Application Note:**

1. The PIR sensor is sensitive to the temperature change and therefore to prevent from operating the module in rapid environmental temperature changes, strong shock or vibration. Don't expose to the direct sun light or headlights of automobile. Don't expose to direct wind from heater or air conditioner.
2. This module is designed for indoor use. If using in outdoor, make sure to apply suitable supplemental optical filter and drop-proof, anti-dew construction
3. Detection range might be varied in different environmental temperature condition.